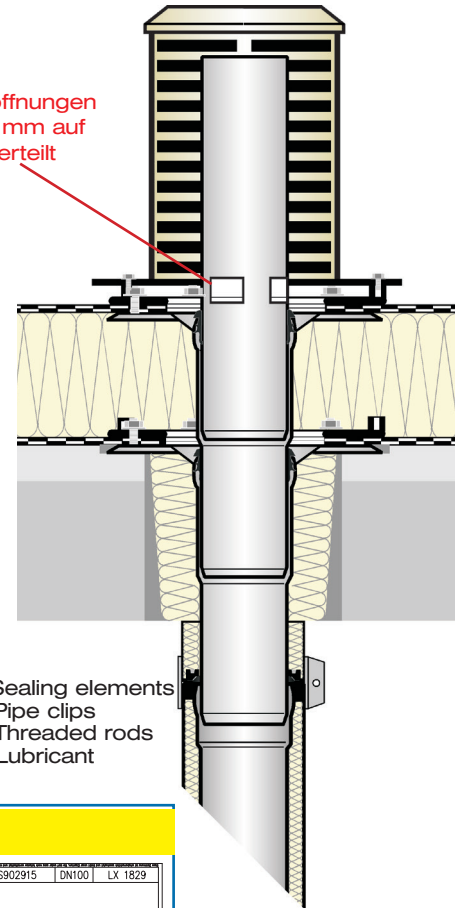


## Specification sheet LX 1829

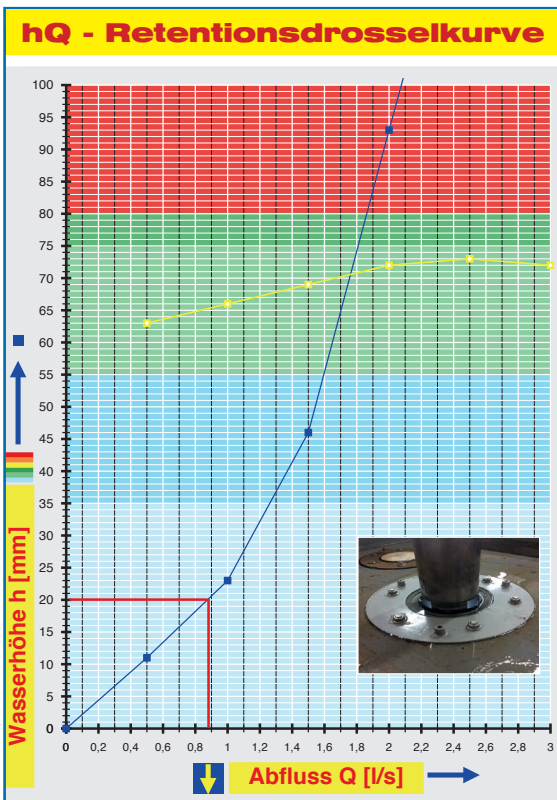
### Retention roof drainage Series 84 DRAINLET® with variable retention

<b>Main drainage</b>	
<b>Gravity flow</b>	
<b>Silent</b>	
<b>Discharge rate:</b>	<b>1,2 l/sec</b>
<b>Water height:</b>	<b>35 mm</b>
<b>Roof penetration:</b>	<b>-</b>
<b>Diameter:</b>	<b>DN 100</b>
<b>LX-Number:</b>	<b>LX1829</b>
<b>Weir height:</b>	<b>0 mm</b>
<b>Drain:</b>	<b>ventilated</b>
<b>Downpipe:</b>	<b>not ventilated</b>
<b>Downpipe height:</b>	<b>4,2 m</b>
<b>Drainage:</b>	<b>in sewer</b>
<b>Flange:</b>	<b>Clamping flange</b>

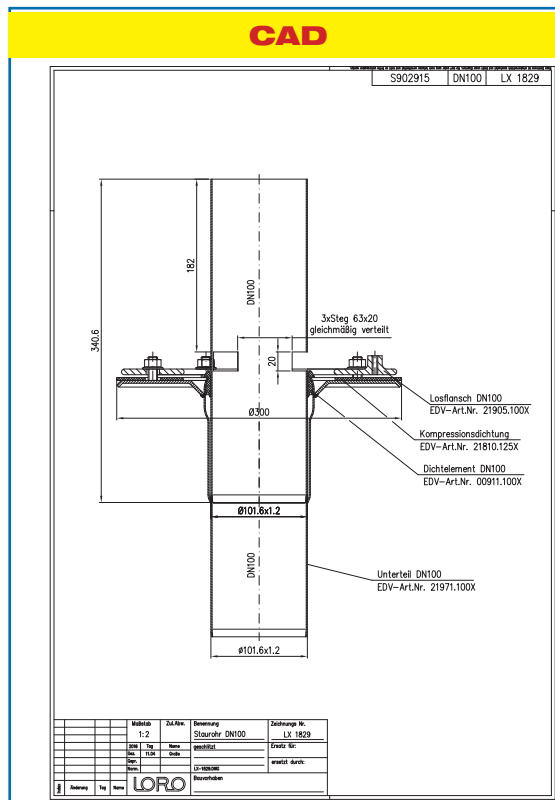


#### LX 1829 Piece list

- |  |  |
|--|--|
| 1 x Art.-No. 41511.100X, Retention roof drainage     | 6 x Art.-No. 09911.100X, LORO X Sealing elements |
| 1 x Art.-No. 01401.100X, LORO-X Pipe with one socket | 3 x Art.-No. 00975.100X, LORO-X Pipe clips       |
| 2 x Art.-No. 00300.100X, LORO-X Bend                 | 3 x Art.-No. 09604.100X, LORO-X Threaded rods    |
| 1 x Art.-No. 01004.100X, LORO-X Pipe with one socket | 1 x Art.-No. 00986.000X, LORO-X Lubricant        |
| 1 x Art.-No. 05510.100X, LORO-X Stand pipe           |  |



**Systempower**



**Systemshape**

<b>Water height</b>	mm	10	15	20	25	30	35	40	45	50	55	60	65	70	75	80	85	90
<b>Discharge</b>	l/sec	0,5	0,7	0,9	1,0	1,1	1,2	1,4	1,5	1,5	1,6	1,6	1,7	1,8	1,8	1,9	1,9	2,0
<b>Silent</b>																		

## LORO-X Retention roof drainage

**LX 1829-5X**

Retention roof drain  
 Art.-No. 41511.100X  
 Weight: 5,6 kg

**with clamping flange**  
 for bituminous and plastic roofing sheets

